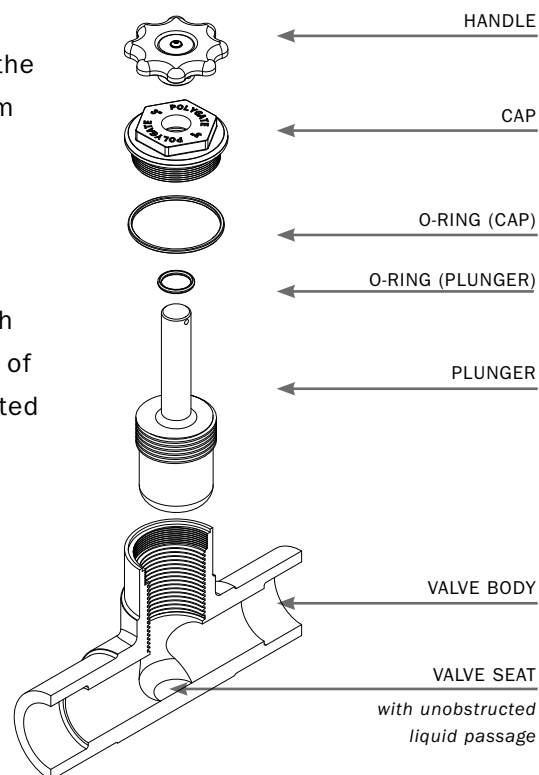


The PolyGate® Valve combines HDPE construction with unobstructed liquid passage and field serviceability. It is recommended to partner the PolyGate® Valve with Flo-Wing® Meter technology to create the optimum wellhead solution.

The PolyGate® Valve's fusion weldable HDPE construction simplifies wellhead installation and eliminates air intrusion where glued and mechanical connections might be breached. The optimized thread pitch and rising stem offer fine flow adjustment and a visual representation of valve position. The valve seat design allows liquids to pass unobstructed to prevent inhibited valve operation and pipeline blockage.

### DESIGN ADVANTAGES:

- Unobstructed liquid passage
- Fusion weldable HDPE Construction
- Fine flow adjustment
- Field serviceable



**3" Polygate® Valve**  
(EXPLODED VIEW)

WELLHEAD ASSEMBLIES AVAILABLE THROUGH:



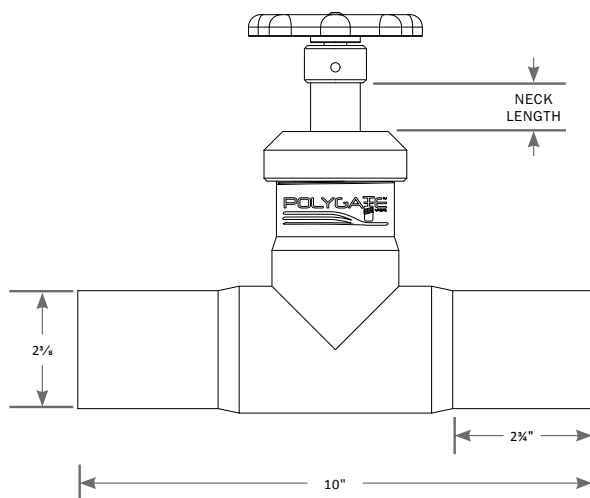
800.345.ISCO | www.ISCO-PIPE.com

541.549.8766  
www.FLO-WING.com  
\*PATENT PENDING



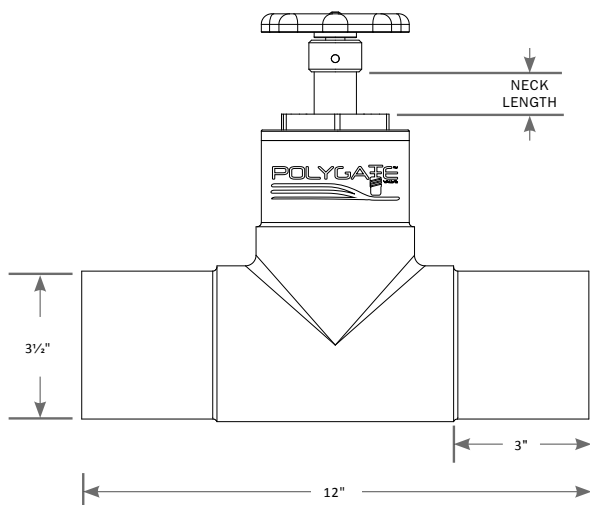
## 2" POLYGATE® VALVE

- 8 full rotations from closed to open
- Neck length, closed : 1"
- Neck length, open : 2 ¼"
- Fusion Weldable Connection : 2" DR-9/HDPE



## 3" POLYGATE® VALVE

- 12 full rotations from closed to open
- Neck length, closed : ½"
- Neck length, open : 2 ½"
- Fusion Weldable Connection : 3" DR-9/HDPE



WELLHEAD ASSEMBLIES AVAILABLE THROUGH:

DESIGNED BY:



800.345.ISCO | [www.ISCO-PIPE.com](http://www.ISCO-PIPE.com)

541.549.8766

[www.FLO-WING.com](http://www.FLO-WING.com)

\*PATENT PENDING